

NOVOPERM A30, A31

NOVOTRON
Industrie-Electronic

Digitale
Fernanzeigen
NOVOPERM-
Magnetschalter
Ideen
Entwicklungen
Produkte

NOVOPERM A3x series are high-precision magnet switches. The contact is glass-to-metal sealed in an inert protective atmosphere.

High switching capacity, long life-time and excellent accuracy make it perfectly suitable for applications, where reliability counts.

The switch is permitted to be mounted in each position.



Technical Data

A30

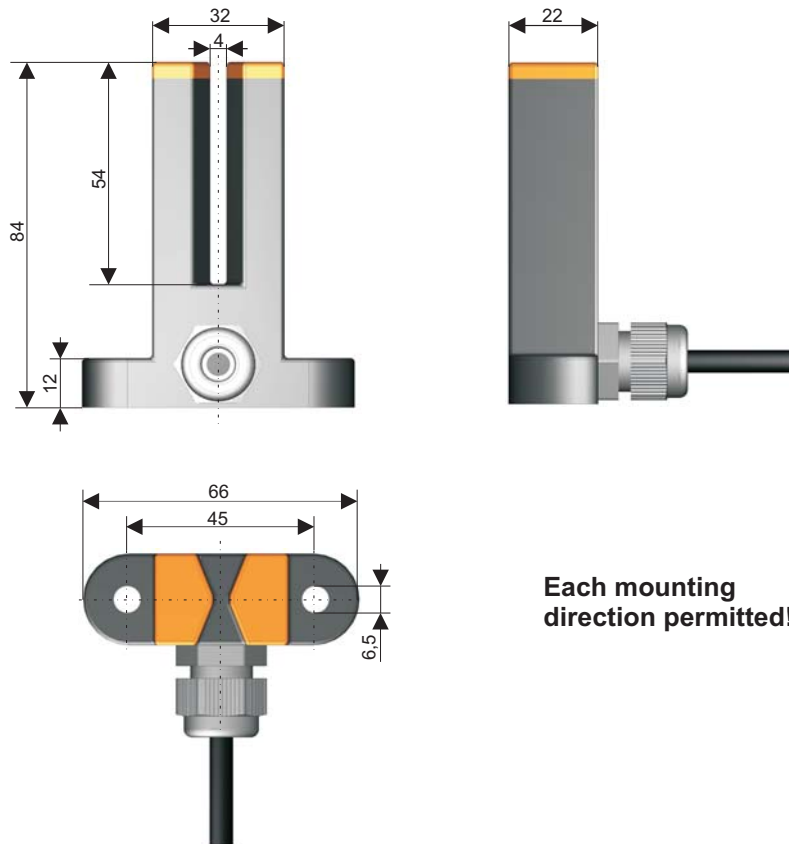
A31

Type of contact	change-over contact	change-over contact
Switching power max.	60W / 60 VA	60 W / 80 VA
Switching voltage max.	230 VAC	230 VAC
Switching current max.	1 A	1 A
Switching time	<4,0 ms	<4,0 ms
Contact bouncing time	<0,5 ms	<0,5 ms
Switching frequency max.	100 Hz	100 Hz
Switching accuracy	<0,2 mm	<0,2 mm
Switching hysteresis	ca. 4 mm	ca. 4 mm
Mechanical contact lifetime	10 ⁹ sw.	10 ⁹ sw.
Electrical contact lifetime	depending on electrical load, up to mechanical lifetime	
Connection cable	2,5 m	2,5 m
Weight	240 g	240 g

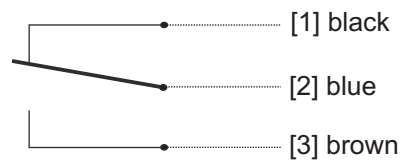
Ambient temperature and type of protection:

Type:	normal	-40°C ... + 60°C / IP 60
	waterproof	-40°C ... + 60°C / IP 67
	heat resistant	-40°C ... +120°C / IP 60
	waterproof and heat resistant	-40°C ... +120°C / IP 67

Dimensions:

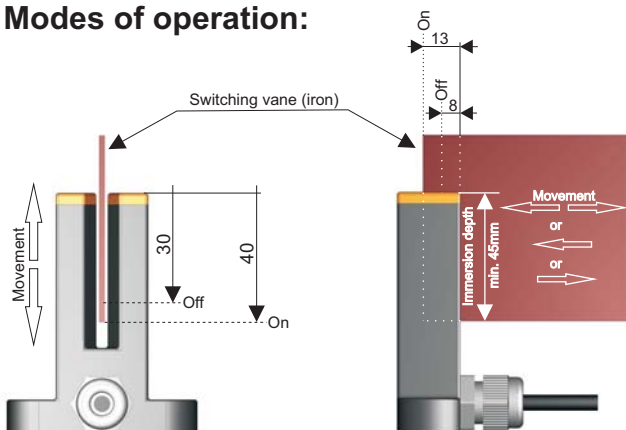


Wiring diagram:



Contact position shown not activated (no iron vane in the slot).

Modes of operation:



The indicated values and dimensions are to be regarded as guidelines. They may vary depending on material and size of the switching vane, mounting conditions, ambient influences, ...

When using maximum electrical load, the switching frequency should not exceed 10Hz.

All technical data are subject to change without further notice.